

## Articulating Monitor Arm - Grommet / Desk Mount with Gas-Spring Height Adjust & Cable Management

StarTech ID: ARMPIVOTE



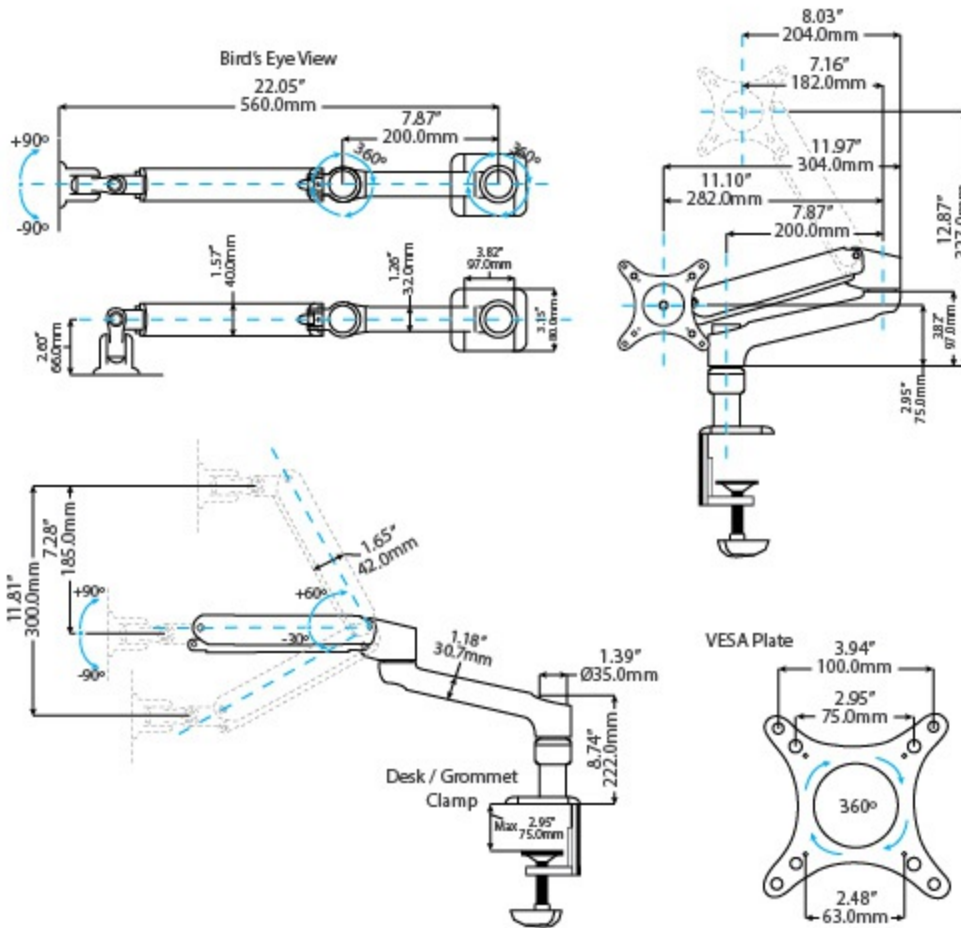
The ARMPIVOTE Articulating Monitor Arm lets you mount a display to your desk or table, with extension, tilt, pan, swivel, pivot and gas-spring height adjustments.

The desk-mount monitor arm features a gas-spring cylinder to raise or lower your display with minimal effort, plus it offers a wide range of motion on several axes. For viewing longer pages or blocks of code without scrolling, the LCD arm also supports landscape to portrait display rotation.

Mounting your displays on a monitor arm above the desk surface enables you to adjust your display height, position and viewing angles easily for an ergonomic work environment, with the added benefit of reclaiming valuable workspace on your desk.

Supporting 12 - 24" displays up to a maximum weight capacity of 11lbs (5kg), the monitor mounting arm holds your display with ease, and integrates a cable management channel to keep things neat. For added installation flexibility, the included mounting hardware can either clamp to the side of your desk / table or mount through a grommet hole, for a versatile monitor mounting solution.

### Product Diagram:



Backed by a StarTech.com 2-year warranty and free, lifetime technical support.

### Applications

- Mount a display to the side of your desk or table with a wide range of adjustment capability
- Grommet mount your display through a desk or above a server cabinet and position as needed
- Lift your display higher above your desk surface for ideal viewing angles
- Rotate displays to portrait orientation for web design and coding

## Features

- Articulating monitor arm with a wide range of motion
- Gas-spring height adjustment cylinder
- Supports displays from 12 to 24" (11lbs / 5kg capacity)
- 360° rotation around the support post and at the elbow
- +/-90° Tilt and +/-90° Pan
- Maximum arm extension of 22.05in (560mm)
- Landscape to portrait screen rotation
- Includes convertible desk / grommet-mount clamp
- Clamp fits desks up to 2.95in (75mm) thick
- Integrated cable management

**Technical Specifications**

Warranty	2 Years
Mounting Options	Desk / Grommet Clamp
Wallmountable	No
VESA Hole Pattern(s)	75x75 mm
VESA Hole Pattern(s)	100x100 mm
Weight Capacity	5 kg [11 lb]
Maximum Display Size	24in
Height Adjustment	Yes
Maximum Arm Extension	560 mm [22 in]
Tilt	+/- 90°
Pan	+/- 90°
Swivel / Pivot	360° around the support post 360° at the elbow
Display Rotation	360°
Mounting Surface Thickness	0.39 - 2.95in (10 - 75mm)
Color	Black
Enclosure Type	Steel and Plastic
Product Weight	2.3 kg [5.1 lb]
Shipping (Package) Weight	2.8 kg [6.1 lb]
Included in Package	1 - Gas Spring Arm
Included in Package	1 - Extension Arm
Included in Package	1 - Support Pole
Included in Package	1 - Clamp
Included in Package	1 - Cover and Bolt
Included in Package	5 - Cable Covers
Included in Package	4 - Spacers
Included in Package	4 - M4x12mm Screws
Included in Package	4 - M4x25mm Screws
Included in Package	1 - Cable Clip
Included in Package	2 - Plastic Gasket Cushions
Included in Package	1 - 4mm Allen Wrench
Included in Package	1 - 6mm Allen Wrench
Included in Package	1 - Instruction Manual

Certifications, Reports and Compatibility

