

Screw #6-32 L6 × 12
Motherboard/3.5"HDD



Screw #6-32 L6 × 4
PSU



Screw M3 L5 × 8
2.5"SSD



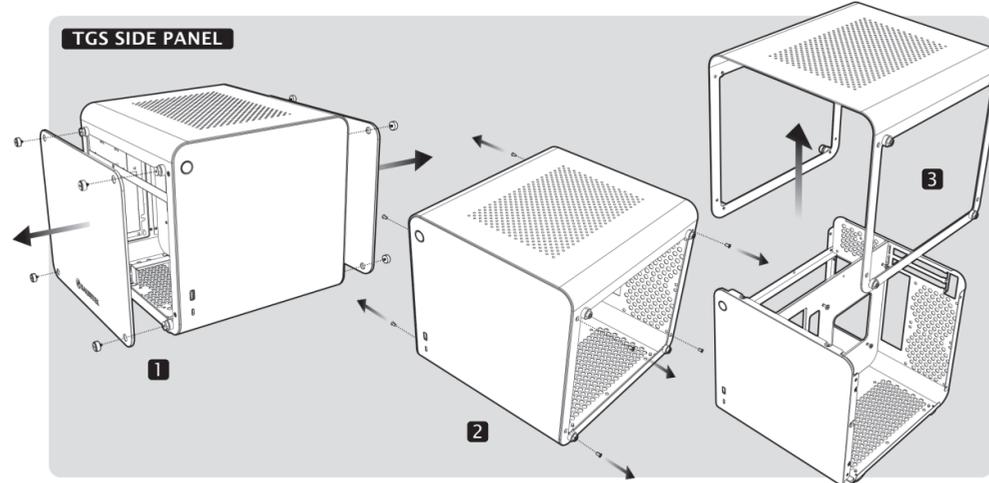
Screw 6-32 L6 × 2
VGA Card



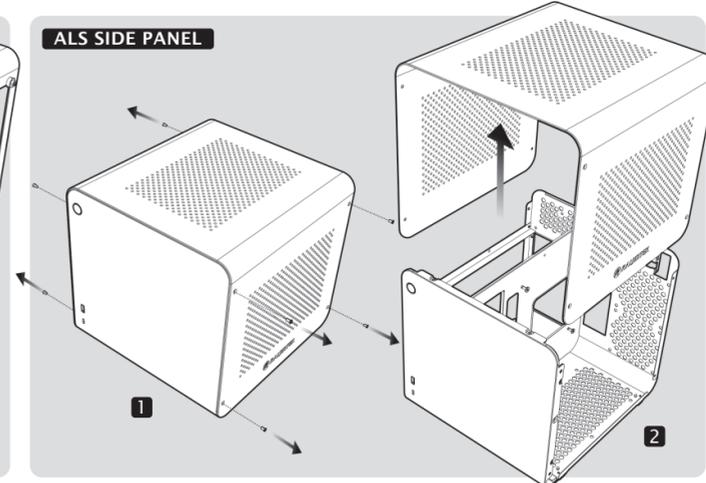
Cable Tie × 10



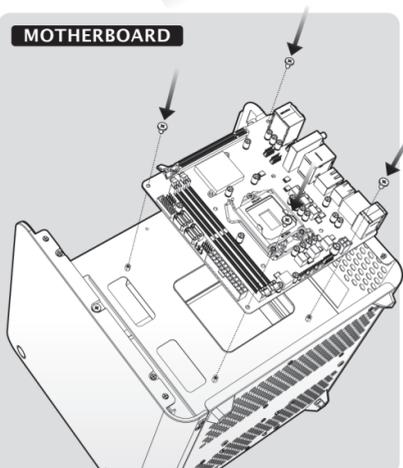
TGS SIDE PANEL



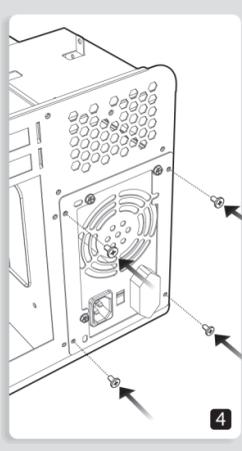
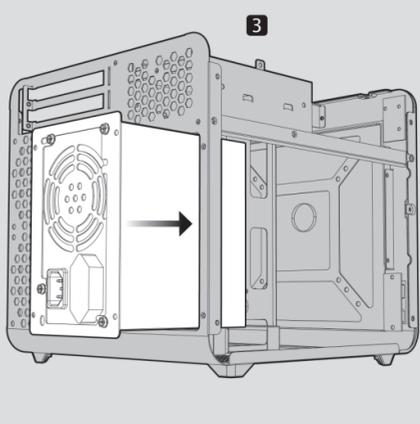
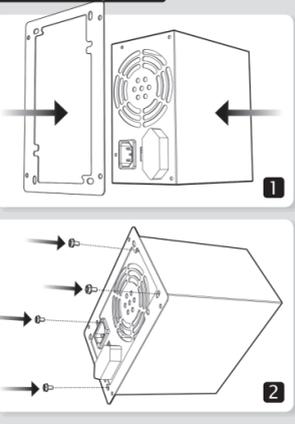
ALS SIDE PANEL



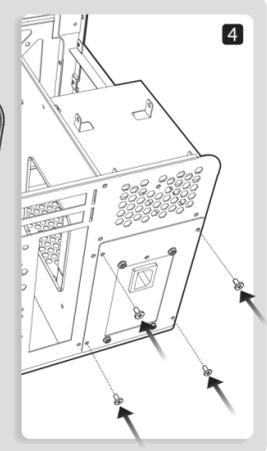
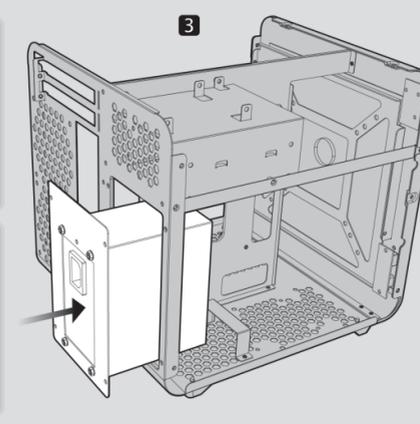
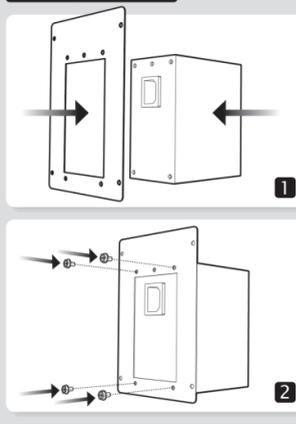
MOTHERBOARD



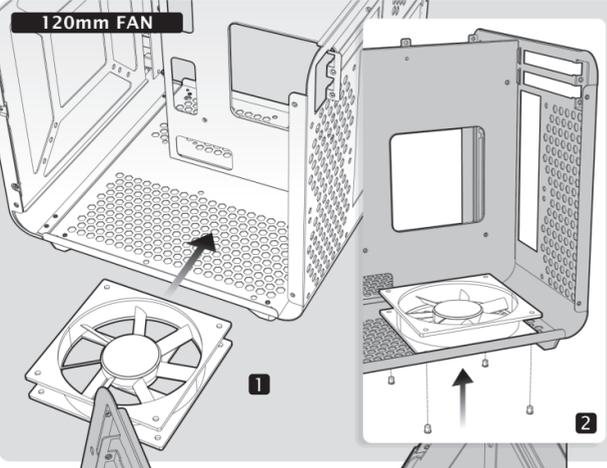
ATX PS/2



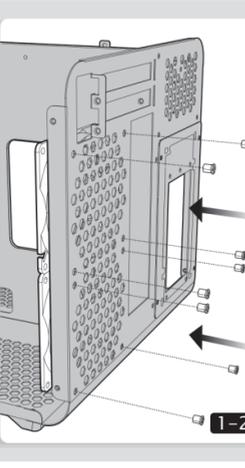
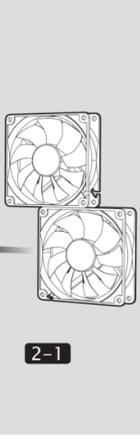
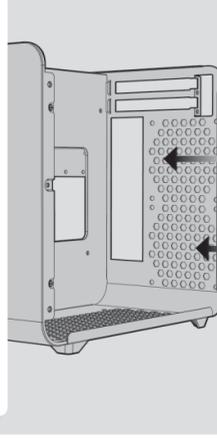
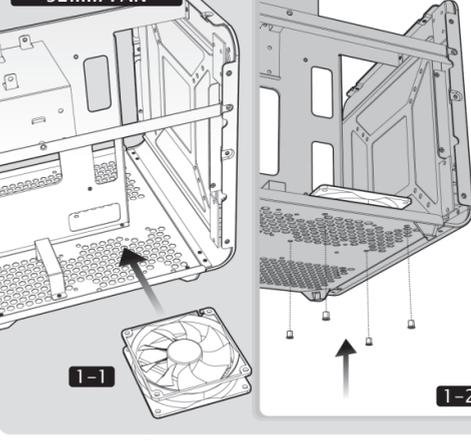
SFX



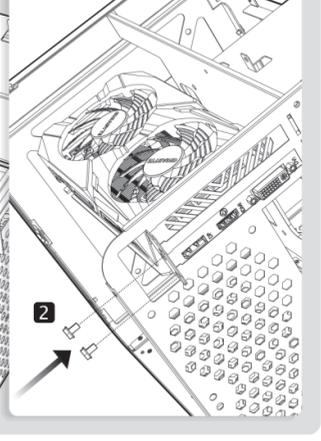
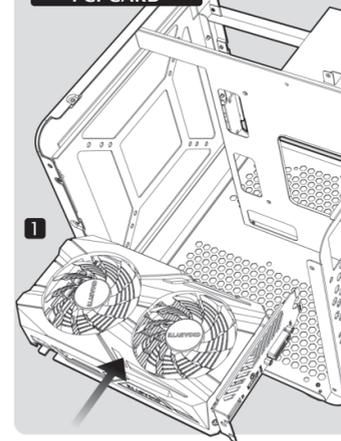
120mm FAN



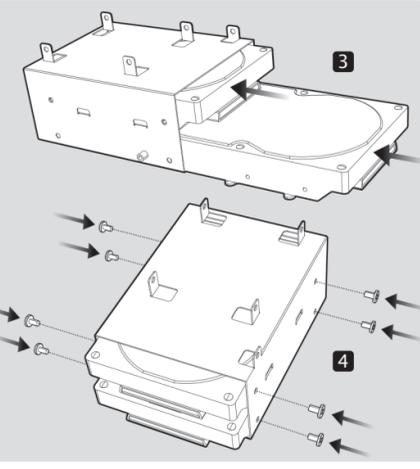
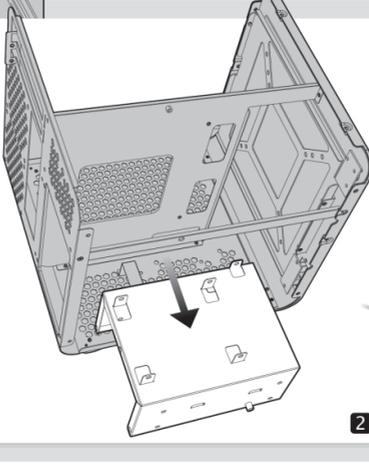
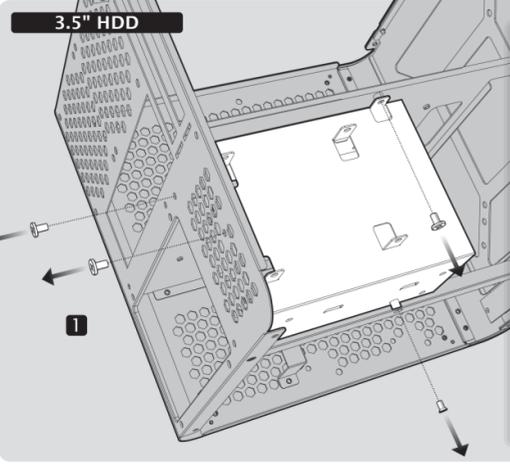
92mm FAN



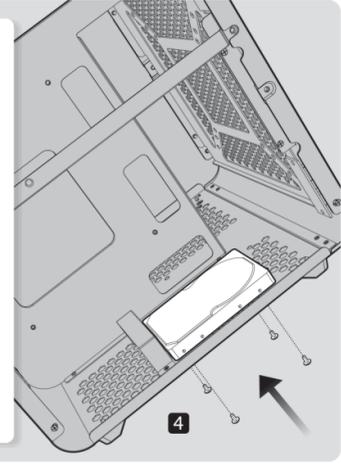
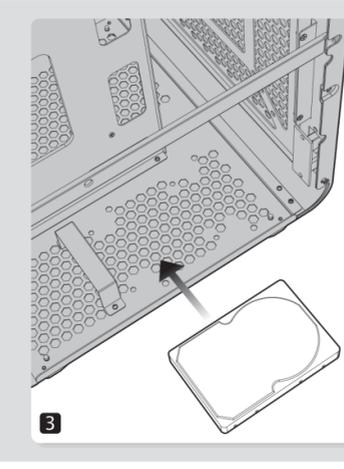
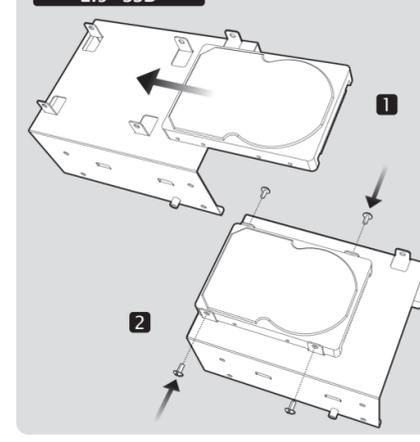
PCI CARD



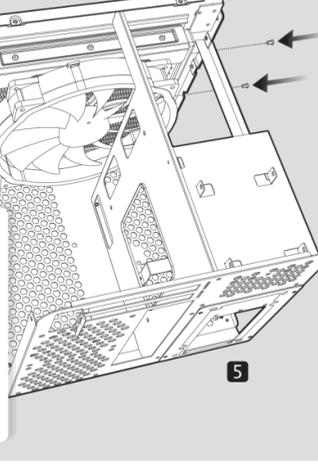
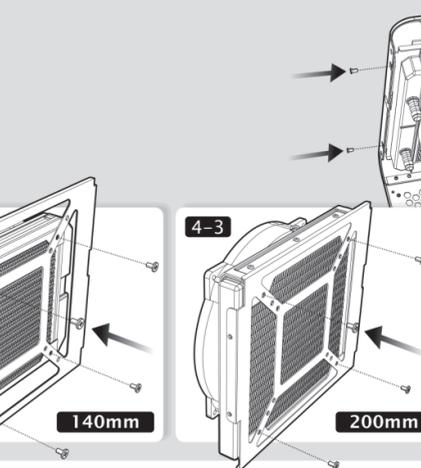
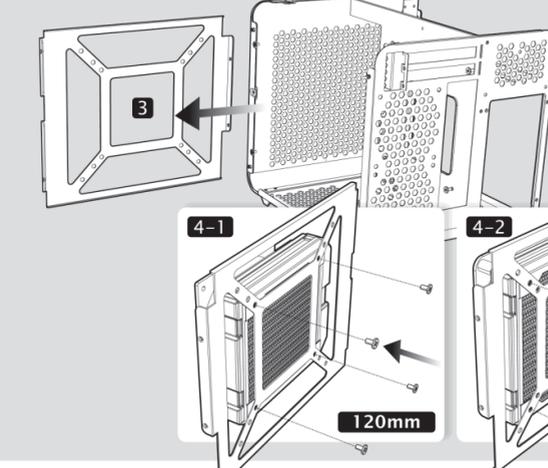
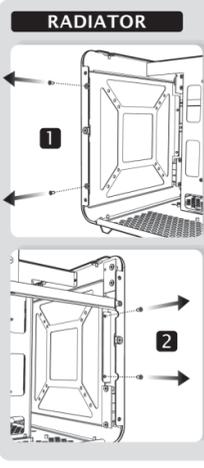
3.5" HDD



2.5" SSD



RADIATOR



FILTER

